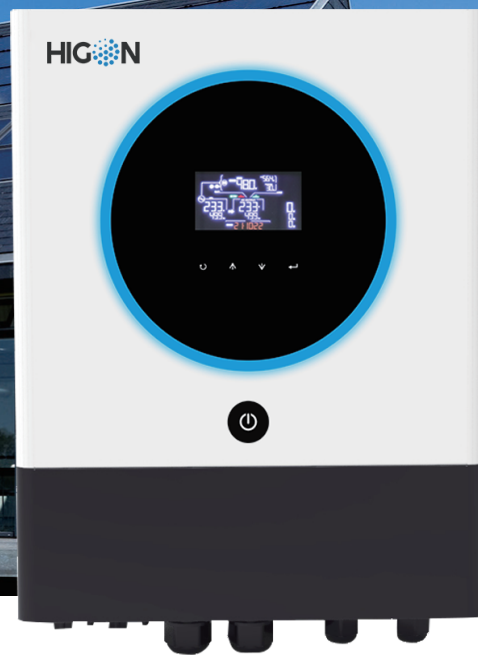


HITTO VM IV

Hybrid On & Off Grid Energy Storage Inverter

series **3.6/5.6/8/11kW**



MPPT

Built-in two MPPT(8KW-10KW),with wide PV input range:120-450VDC



On & Off-Grid

HITTO VM IV series is suitable for on & off-grid applications



Battery

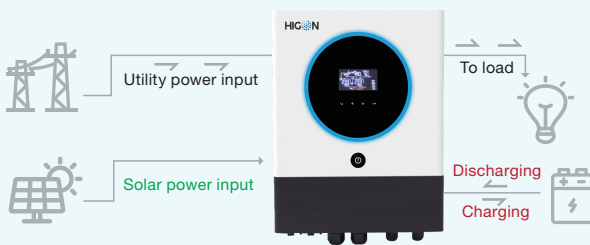
Battery equalization function extend lifecycle
Reserved communication port(RS485,CAN)for BMS



Easy access

Communication WiFi or bluetooth Touchable
button with large 5" colorful LCD

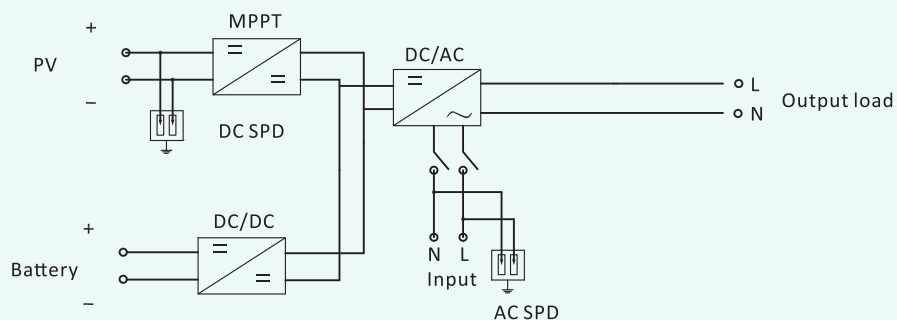
With battery connected



Without battery connected



Schematic diagram



Technical Specification	HITTO VM IV series			
Rated Power(W)	3600	5600	8000	11000
AC INPUT				
Nominal Voltage(VAC)	230VAC			
Voltage range(VAC)	170~280VAC / 90~280VAC			
Frequency range(Hz)	50/60Hz			
AC OUTPUT				
Surge power	7200	11200	16000	22000
Output voltage(VAC)	220/230/240			
Output wave form	Pure sine wave			
Rated Frequency(Hz)	50/60			
Efficiency	93% max			
Transfer time	10ms typical(narrow range);20ms typical (wide range)			
BATTERY				
Nominal DC voltage(VDC)	24	48		
Floating charge voltage(VDC)	27	54		
Overcharge protection(VDC)	31	63	60	63
Battery type	Lithium & Lead-acid			
SOLAR CHARGER & AC CHARGER				
Max.PV array open circuit voltage(VDC)	500			
Max.PV array power(W)	5500	4000*2		5500*2
MPPT input voltage range@operating(VDC)	90-450			
Max.input current(A)	18	18	18*2	27*2
Max.solar charging current(A)	120			150
Max.AC charging current(A)	100	120		150
Max.charging current(A)	120			150
DISPLAY INTERFACE				
Parallel function	up to 6 units			
Communication	Standard:RS232,CAN&RS485;Optional:WiFi,Bluetooth			
Display	5"colorful LCD			
ENVIRONMENT				
Humidity	5~90%RH (No Condensing)			
Operating Temperature	-10°C to 50°C			
Net Weight(KG)	9	10	18.8	20
Dimensions D x W x H(mm)	302*500*132.5		420*561.6*152.4	

