



10 years
product
warranty

HI-CONNECTOR

1-1 Type/1-2 Type

HIGH PERFORMANCE

- PROVEN MULTILAM TECHNOLOGY
- CONSISTENTLY LOW PERFORMANCE
- HIGH LONG-TERM STABILITY

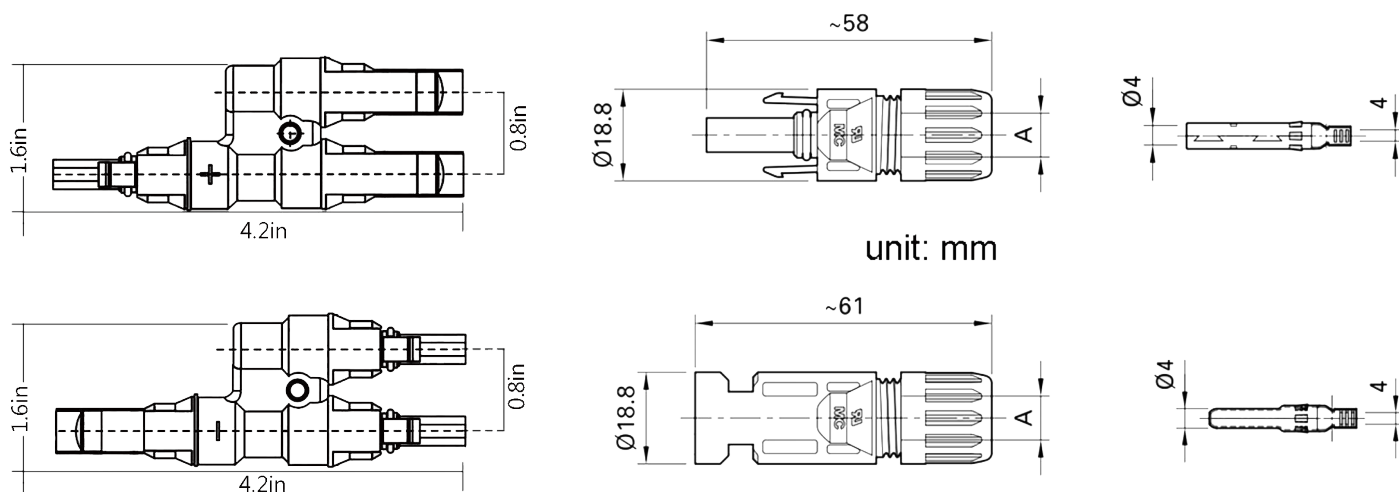
HIGH QUALITY

- HIGH MECHANICAL ENDURANCE
- INNOVATIVE SEALED, WATERPROOF, DUST RESISTANCE DESIGN: IP67
- WIDE TEMPERATURE RANGE
- EXCELLENT MATERIAL, UL 94-V0
- APPROVED BY ETL AND TUV

MULTIPLE APPLICATIONS

- ALARM AND SECURITY SYSTEM
- DC POWER SUPPLY
- COMMUNICATION POWER SUPPLY

HI-CONNECTOR



Product Specifications

Item	MC4 Connector Pair	MC4 T Brach Connector
Insulation material	PPO	PPO
Rated Volatge	1000V	TUV 1000VDC/UL 600VDC
Rated Current	30A(4mm ² , 6mm ²)	20A-40A
Test Voltage	6kV(50Hz)	6kV(50Hz, 1min)
Contact material	Copper sliver plated	Copper, tin plated
Contact resistance	≤ 5mΩ	≤ 5mΩ
Degree of protection	IP67	IP67
Pin dimension	4.0mm	4.0mm
Compatible solar cable	2.5mm ² /4mm ² /6mm ²	2.5mm ² /4mm ² /6mm ²
Operating temperature	-40°C~+90°C	-40°C~+90°C
Flame class	UL94-V0	UL94-V0
Locking system	Snap in	Snap in

Contact Us for More Information

web: www.higonsolar.com email: info@higonsolar.com

TASTE THE SUN